



- TASTE THE DIFFERENCE -

## MODEL 30T-RMT

This high volume, front-loading freezer with refrigerated cabinet was designed for high-traffic specialty ice cream and custard stores. The 2 flavor twist machine is great for all mixes, but especially high butter-fat mixes like custard and premium ice creams. Our pressurized machines consistently produce smooth and creamy product. Perfect for full-menu ice cream stores and custard shops.

### The Electro Freeze Advantage

- **Patented Mix Transfer System\*** simplest and most reliable pressurized system available
- **Flexible Mix Holding System** pumps directly from bags or from mix containers
- **The Finest Frozen Product**, consistently the best frozen product available. Smooth, creamy and profitable
- **Self Closing Spigots** prevents the mess and eliminates waste
- **Adjustable Dispense Rate** set to meet your specific dispensing speed and volume requirements
- **Exclusive Auger Design** gently blends, reducing agitation, maintaining product quality and consistency.
- **Energy Conservation Mode** reduces energy cost and holds product safely during non-business hours
- **Superior Low Temperature Refrigeration System** provides the best in class production and product quality
- **Product Flexibility** serves a variety of frozen products, custard, ice cream sorbets, water ice or yogurt
- **Experience Tells** Electro Freeze has been manufacturing quality frozen treat machines since 1929. Superior engineering, product innovations, sturdy construction, quality craftsmanship and dependable performance are Electro Freeze hallmarks.
- **Superior Service Support** backed by a world-wide distributor network

\*U.S. Patent #5,349,825

## PRESSURIZED SOFT SERVE FREEZER

Freedom 360° Series

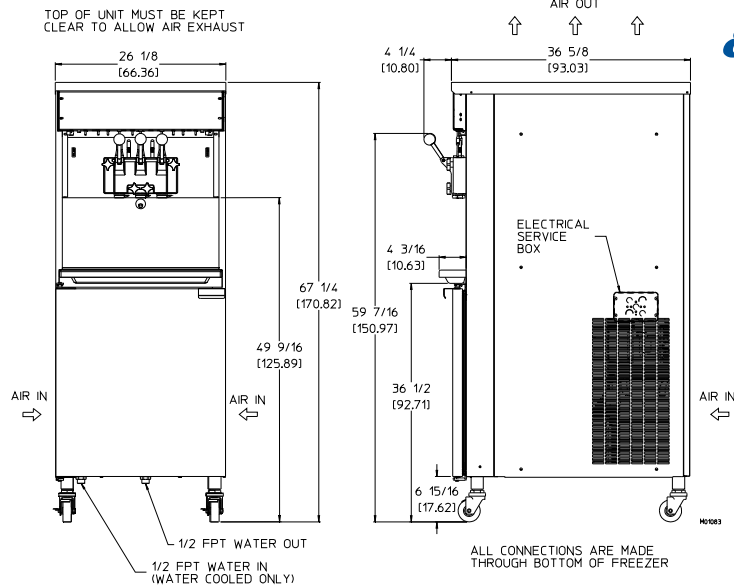


[electrofreeze.com](http://electrofreeze.com)

FOR MORE INFORMATION CONTACT

800-755-4545 • [sales@electrofreeze.com](mailto:sales@electrofreeze.com)

30T-RMT Soft Serve Freezer



**MODEL 30T-RMT SPECIFICATIONS**

Due to continual product improvements all specifications are subject to change without notice.

| Weights            | lbs.                    | kgs.                   |                     |
|--------------------|-------------------------|------------------------|---------------------|
| Net                | 847                     | 384                    |                     |
| Crated             | 965                     | 437                    |                     |
|                    | cu.ft.                  | cu.m.                  |                     |
| Volume             | 58.42                   | 1.65                   |                     |
| Dimensions         | in.                     | cm.                    |                     |
| Width              | 26-1/8                  | 66.36                  |                     |
| Depth              | 36-5/8                  | 93.03                  |                     |
| Height             | 67-1/4                  | 170.82                 |                     |
| Electrical         | Maximum Fuse Size (Qty) | Minimum Ampacity (Qty) | Poles (P) Wires (W) |
| 208-230/60/1 Air   | 35 (2)                  | 27 (2)                 | 2P, 2W              |
| 208-230/60/1 Water | 30 (2)                  | 24.5 (2)               | 2P, 2W              |
| 208-230/60/3 Air   | 25 (2)                  | 19 (2)                 | 3P, 3W              |
| 208-230/60/3 Water | 20 (2)                  | 16.5 (2)               | 3P, 3W              |
|                    | Total Amps (Qty)        |                        | Poles (P) Wires (W) |
| 400/50/3 Air       | 10.7 (2)                |                        | 3P, 4W              |
| 400/50/3 Water     | 8.5 (2)                 |                        | 3P, 4W              |

**Electrical**  
 Two dedicated electrical connection are required. Manufactured to be permanently connected. See electrical chart for the proper requirement. Consult your local electrical codes for cord and receptacle specifications.

**Beater Motor**  
 Two, 2 hp.

**Refrigeration Systems**  
 Two, 9300 Btuh. R404a.

**Air and Water Cooled**  
 6" (15.2 cm) air space required at rear panel or both side panels and 18" (45.7cm) air space above unit for proper air circulation.

**Mix Tank Capacity:** two - 26 quarts (24.6 liters) each  
**Freezing Cylinder Capacity:** two - 5 quarts (4.7 liters) each

Electrical characteristics other than above available on request from factory or local distributor. Check nameplate for exact electrical data.

**Bidding Spec**

Electrical: Volt \_\_\_\_\_ Hz \_\_\_\_\_ Ph \_\_\_\_\_  
 Cooling: \_\_\_\_\_ Neutral \_\_\_\_\_ Yes \_\_\_\_\_ No \_\_\_\_\_  
 Options: \_\_\_\_\_

Certified and/or listed by:



\*UL listed and listed by Underwriters Laboratories under Canadian National Standard C22.2 No. 120-M91 (R2008)  
 \*\*Select Voltages @ 50HZ

**Electro Freeze div. of H.C. Duke & Son, LLC**  
 2116-8th Avenue, East Moline, Illinois 61244 USA  
 Phone (309) 755-4553 • (800) 755-4545  
 FAX (309) 755-9858  
 E-mail: sales@electrofreeze.com • www. electrofreeze.com

**Authorized Distributor**